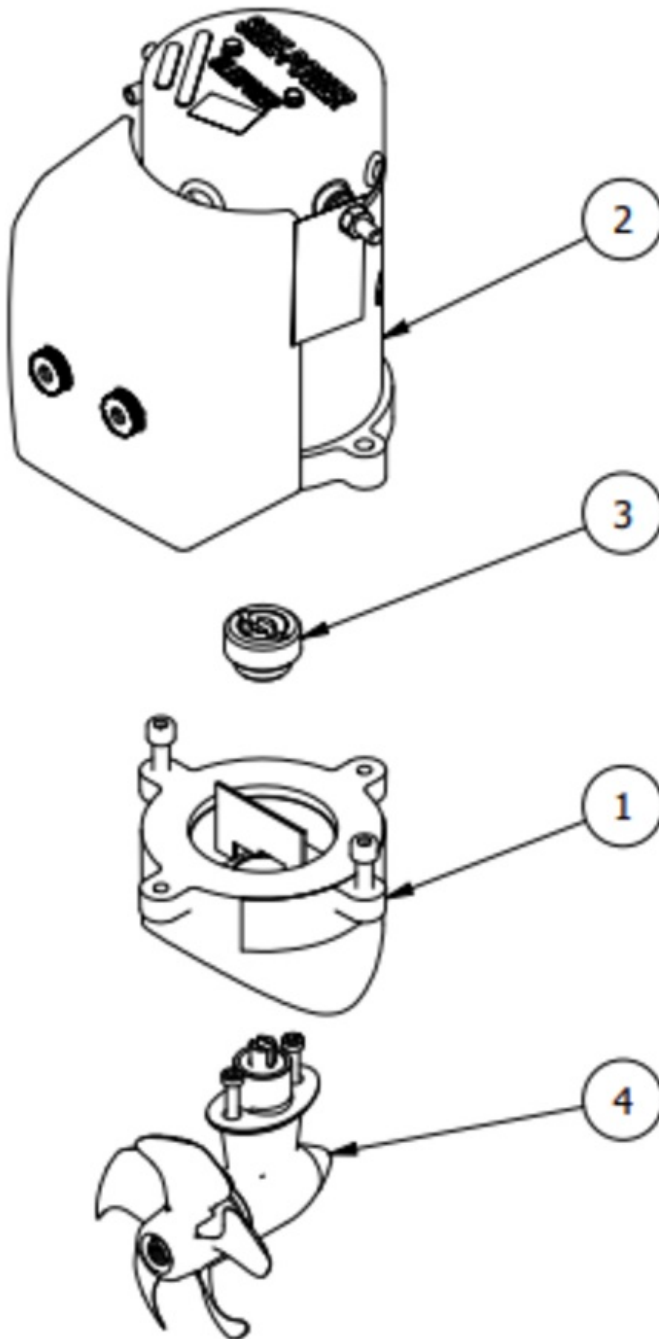


SE25/110S
SE25 tunnel bow thruster 12V

Spare parts (valid from 2022-06-03)



SLEIPNER



#	Name	Item Code	Description
1	Motorbracket Ø110	SM-126302	Motor bracket SE20/25
2	Electric motor	2 0105 12	Electric motor SE25 12V
3	Flexible coupling	SM175029	Flexible coupling for SE20,25,30 & 40
4	Gearleg	2 0600	Gearleg SE20/25

The installer alone has responsibility for the installation of the spare parts. Side-Power only warranty the spare parts supplied only.

The information given in the document was correct at the time it was published. However, Sleipner Motor AS can not accept liability for any inaccuracies or omissions it may contain. Continuous product improvement may change the product specifications without notice. Therefore, Sleipner Motor AS can not accept liability for any possible differences between product and document.