

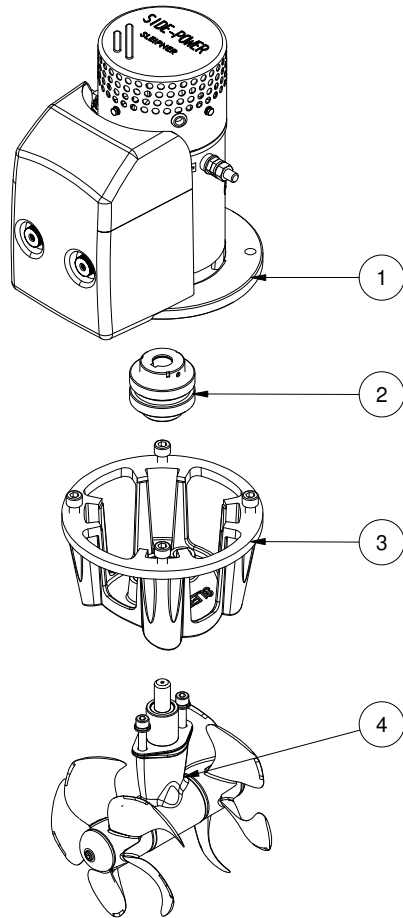
SE80/185T-24V

SE80 tunnel bow/stern thruster 24V

Spare parts (valid from 2022-03-11)



SLEIPNER



#	Quantity	Name	Item Code	Description
1	1.00	Electric motor	6 0101 24	Electric motor 24V
2	1.00	Flexible coupling	7 1462OBS	Flexible coupling SE80/100
3	1.00	Bracket for motor	8 0501	Motor bracket SE80/100
4	1.00	Gearleg	8 0601	Gearleg SE80/100

The installer alone has responsibility for the installation of the spare parts. Side-Power only warranty the spare parts supplied only.

The information given in the document was correct at the time it was published. However, Sleipner Motor AS can not accept liability for any inaccuracies or omissions it may contain. Continuous product improvement may change the product specifications without notice. Therefore, Sleipner Motor AS can not accept liability for any possible differences between product and document.